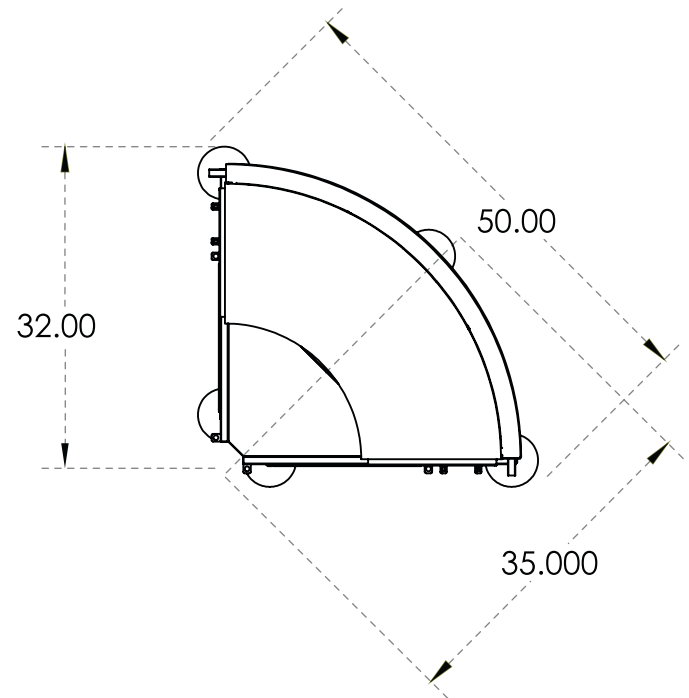
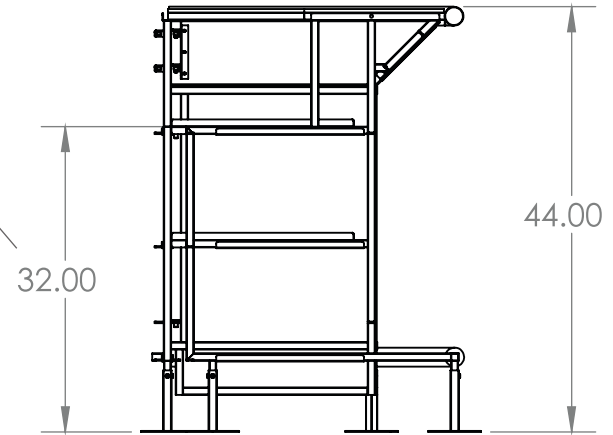
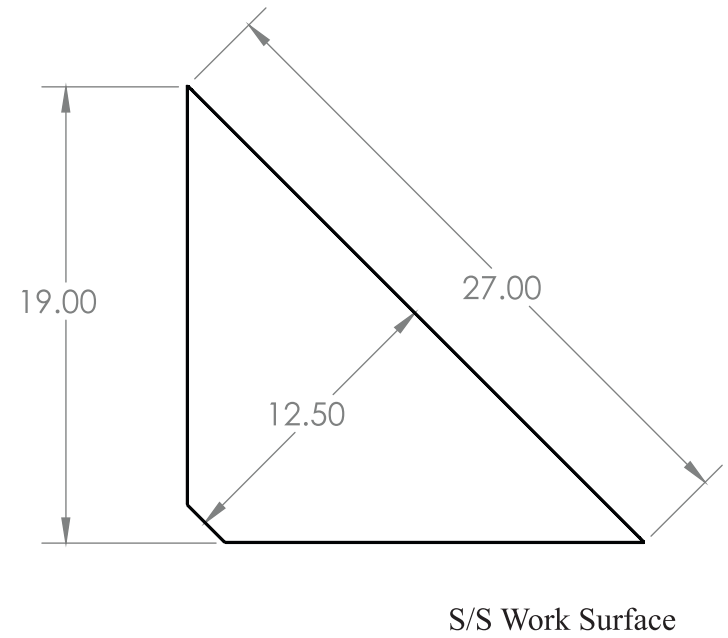
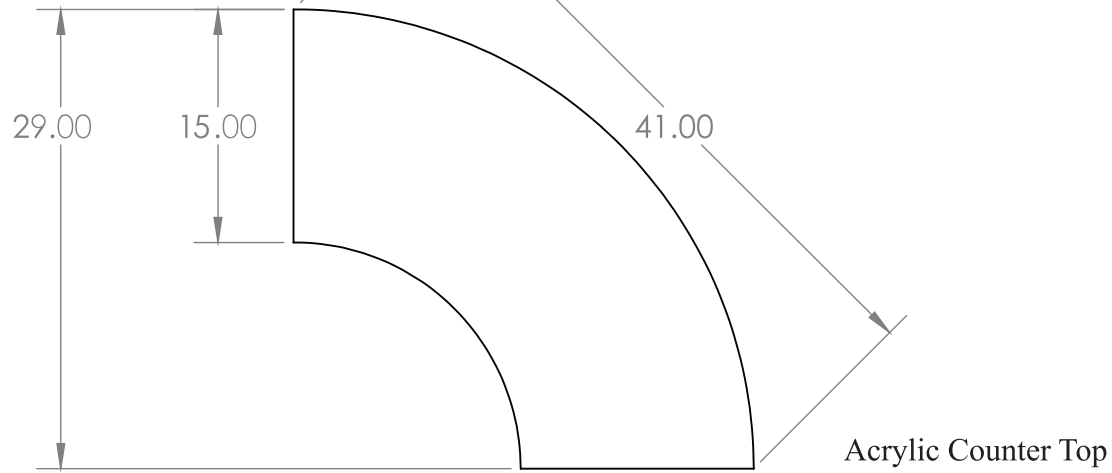




Height from ground to Work Surface



*\*\*Note: Images are approximate; they have been rounded to the nearest whole number.*



*\*\*Note: Images are approximate; they have been rounded to the nearest whole number.*